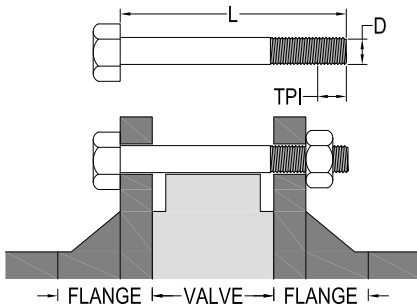


FLANGE BOLTING GUIDE FOR FIGURE HP BUTTERFLY VALVES

Wafer Valve & Cap Screws



Size	D	TPI	L	Qty
3	5/8"	11	4-3/4"	8
4	5/8"	11	5"	16
5	3/4"	10	5-1/2"	16
6	3/4"	10	5-1/2"	16
8	3/4"	10	6"	16
10	7/8"	9	6-1/2"	24
12	7/8"	9	7-1/4"	24
14	1"	8	8"	24
16	1"	8	8-1/2"	32
18	1-1/8"	8	9-1/2"	32
20	1-1/8"	8	10-1/4"	32
			2-3/4"	8
24	1-1/4"	8	12"	32
			3-1/4"	8

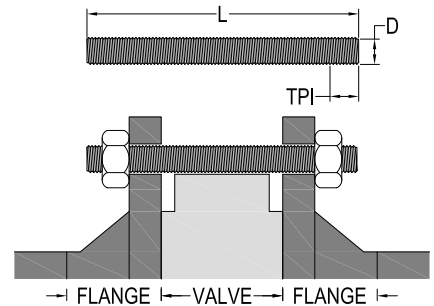
WARNING: Improper bolt and stud lengths could result in leakage at the flange resulting in damage, serious injury, or death.

CAUTION: Dimensions provided for flange bolting are intended only as a guide. Bolt lengths may vary due to manufacturing tolerances in valves, gaskets, flange bolts and flanges.

NOTE: The FNW figure HP high performance butterfly valves are designed to fit between ANSI B16.5 class 150 flanges. Lengths are based on the minimum flange thickness of weld neck flanges per ANSI B16.5 and use of standard 1/16" gaskets. Stud lengths also assume heavy hex nut heights per ANSI B18.2.2.

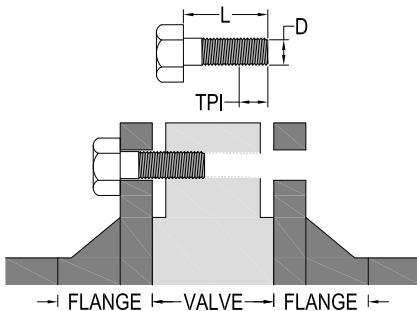
GASKETS: When using metallic spiral wound gaskets, add 1/8" to bolt and stud length dimension L.

Wafer Valve & Stud Bolts



Size	D	TPI	L	Qty
3	5/8"	11	5-3/4"	8
4	5/8"	11	6"	16
5	3/4"	10	6-1/2"	16
6	3/4"	10	6-1/2"	16
8	3/4"	10	7"	16
10	7/8"	9	7-3/4"	24
12	7/8"	9	8-1/4"	24
14	1"	8	9-1/2"	24
16	1"	8	10"	32
18	1-1/8"	8	11"	32
20	1-1/8"	8	11-3/4"	32
			4-1/2"	8
24	1-1/4"	8	13-1/2"	32
			5-1/4"	8

Lug Valve & Cap Screws

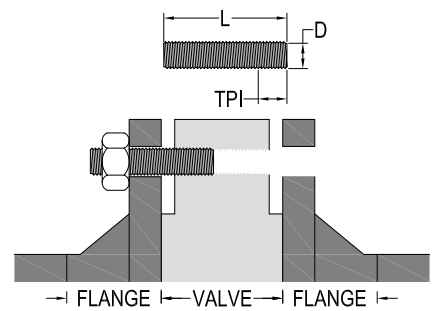


Size	D	TPI	L	Qty
3	5/8"	11	1-3/4"	8
4	5/8"	11	1-7/8"	16
5	3/4"	10	2"	16
6	3/4"	10	2"	16
8	3/4"	10	2-1/4"	16
10	7/8"	9	2-1/2"	24
12	7/8"	9	2-3/4"	24
14	1"	8	3"	24
16	1"	8	2-1/2"	32
18	1-1/8"	8	2-3/4"	32
20	1-1/8"	8	3"	32
			2-3/4"	8
24	1-1/4"	8	3-1/4"	32
			3-1/4"	8

STEM JOURNAL HOLES: The 20" and 24" Wafer and Lug pattern valves have tapped blind holes near the stem journal (upper and lower). These sizes list a second length for these holes only. Standard lengths must be used on all other flange holes.

Lug Sizes 16" to 24": The lugs of the 16" to 24" lug pattern valves are not tapped through the entire body. Bolt and stud lengths are based on usable thread depth.

Lug Valve & Stud Bolts



Size	D	TPI	L	Qty
3	5/8"	11	3"	8
4	5/8"	11	3"	16
5	3/4"	10	3-1/4"	16
6	3/4"	10	3-1/4"	16
8	3/4"	10	3-1/2"	16
10	7/8"	9	4"	24
12	7/8"	9	4-1/4"	24
14	1"	8	4-3/4"	24
16	1"	8	4-1/4"	32
18	1-1/8"	8	4-3/4"	32
20	1-1/8"	8	4-3/4"	32
			4-1/2"	8
24	1-1/4"	8	5-1/4"	32
			5-1/4"	8