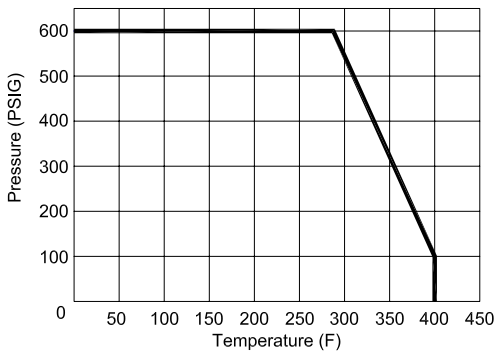


## LOW LEAD COMPLIANT 2 PC 600 WOG BALL VALVE

**Features:**

- 600 WOG
- Full Port
- NSF 61 Annex G Certified (Truesdail) (Annex G references NSF 372)
- Meets MSS SP-110 Standards
- Blow-out Proof Stem
- Adjustable Packing
- Sweat Ends Per ANSI B16.18
- Optional Lock Lever Kit
- Optional Stem Extension Kit
- Optional Tee Handle Kit
- Optional Oval Handle Kit
- Optional Memory Stop Kit

**NOT RECOMMENDED FOR BURIED SERVICE**



Low Lead Compliant: Referring to laws defining "Lead Free" as wetted surface of pipe, fittings and fixtures in potable water systems that have a weighted average lead content  $\leq$  0.25% per the Safe Drinking Water Act (Sec. 1417) amended 1-4-2011 as well as other state regulations.



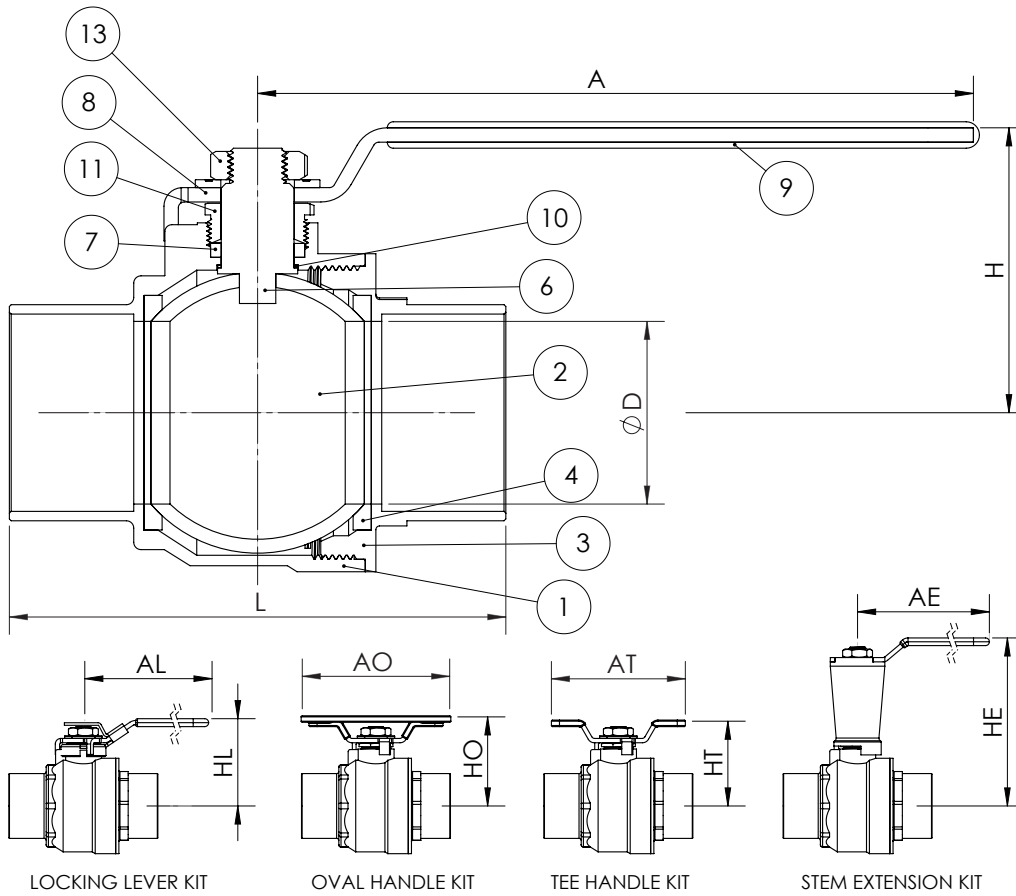
**Figure Number Matrix**

FNW X411C Size	
SIZE CODE	
1/2" = D	
3/4" = F	
1" = G	
1-1/4" = H	
1-1/2" = J	
2" = K	
2-1/2" = L	
3" = M	

**Kit Codes (Order Separately)**

FNW 410A Kit Size	
KIT TYPE	SIZE CODE
Replacement Handle = BRYLWH	1/2" = BD
Locking Lever = LHK	3/4" - 1" = FG
Stem Extension = SE	1-1/4" 1-1/2" = HJ
Tee Handle* = THK	* 2" = KP
Oval Handle* = OHK	
Memory Stop = MSK	

\* NOTE: Due to the higher torque requirements of larger valves, use of Tee and Oval handles on valves larger than 1-1/2" can be difficult to operate.



### Dimensions (inches) & Weights

SIZE	ØD	A	L	H	Wt. (Lbs)
1/2	0.50	3.15	1.93	1.50	0.31
3/4	0.75	4.33	2.72	1.85	0.64
1	0.98	4.33	3.31	2.05	0.90
1-1/4	1.26	5.12	3.78	2.36	1.40
1-1/2	1.50	5.12	4.29	2.56	1.92
2	1.97	7.87	5.35	3.11	3.74

SIZE	AL	HL	AO	HO	AT	HT	AE	HE
1/2	3.27	1.74	2.76	1.52	2.60	1.42	2.95	4.35
3/4	4.33	2.13	3.54	1.87	3.31	1.77	3.94	4.84
1	4.33	2.33	3.54	2.07	3.31	1.97	3.94	5.04
1-1/4	5.24	2.67	4.33	2.38	3.94	2.28	4.92	5.31
1-1/2	5.24	2.87	4.33	2.58	3.94	2.48	4.92	5.51
2	7.99	3.58	5.35	3.23	4.72	3.11	7.87	6.06

Ref. No.	Description	Material	Qty	Remarks
1	Body	C46400 Lead Free Brass	1	1/2"-1-1/2"
		Modified C46400 LF Brass		2"
2	Ball	C46400 Lead Free Brass (Chrome Plated)	1	1/2"-3/4" Solid 1"-2" Shell
3	End Cap	C46400 Lead Free Brass	1	
4	Seat	PTFE	2	
6	Stem	ASTM B16-C36000	1	
7	Stem Packing	PTFE	1	
8	Handle	ASTM A283-D Steel	1	Zinc Plated
9	Handle Sleeve	Vinyl	1	
10	Thrust Washer	PTFE	1	2" only
11	Packing Gland	ASTM B16-C36000	1	
13	Handle Nut	AISI-1010 Steel	1	Zinc Plated