

## ELEVATION KIT FOR PIPE SUPPORT SYSTEMS

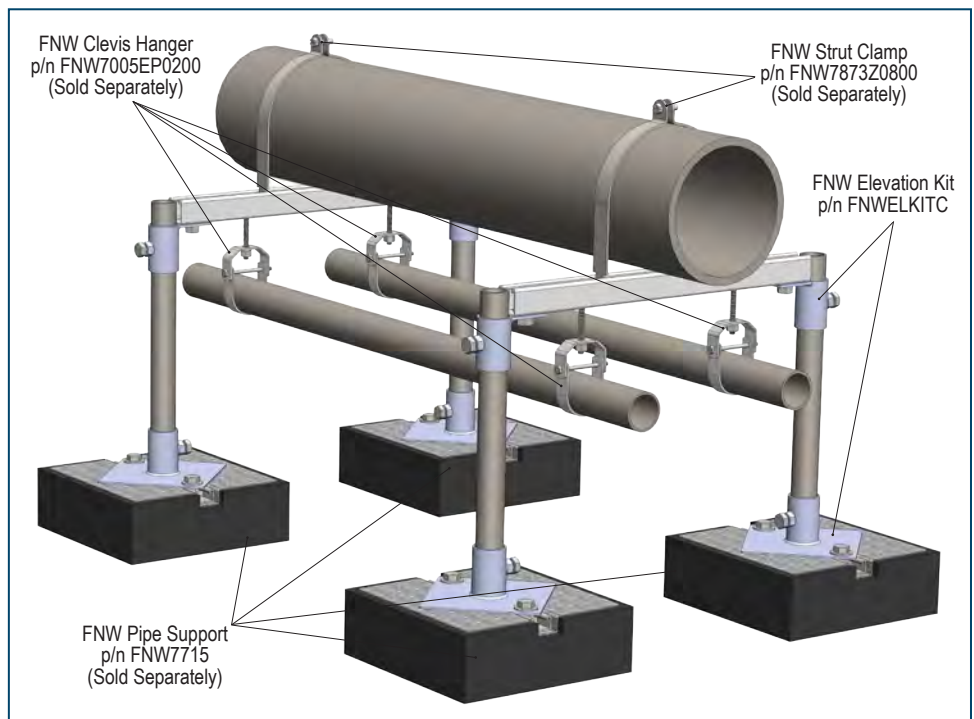
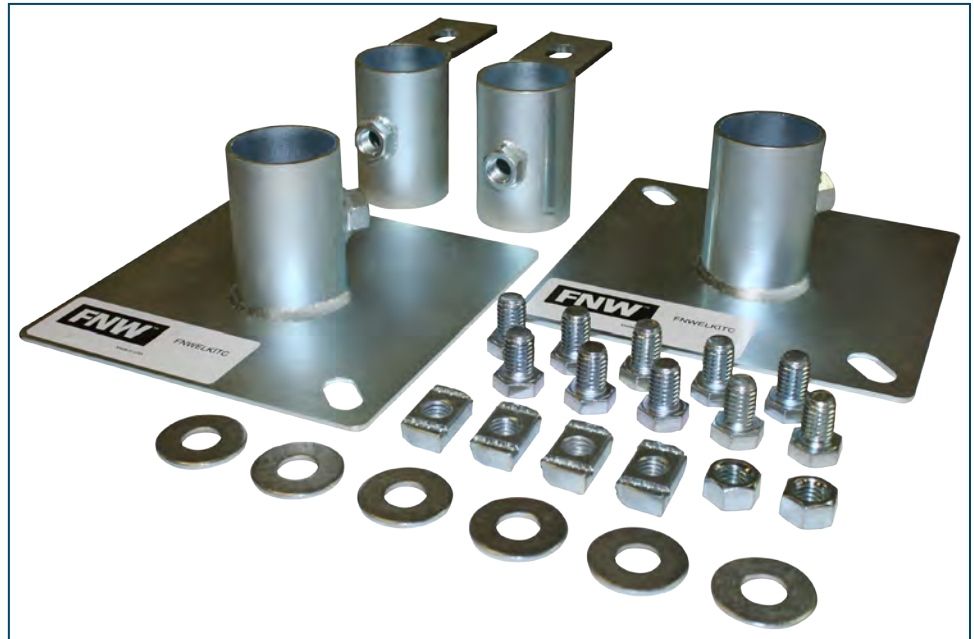
The figure ELKITC elevation kits are designed specifically to meet a wide range of installation applications for large pipe, HVAC, ducting, and conduit. Built-in versatility allows for installations on sloped, uneven, and stepped roof elevations. They are compatible with the FNW figure 7715 and 7730 pipe supports and FNW strut accessories and pipe hangers. The kits can also be installed on concrete floors for equipment elevation projects.

### Features:

- Includes the Following:
  - 2 Base Units
  - 2 Vertical Mounts
  - 10 Mounting Bolts
  - 6 Mounting Washers
  - 4 Strut Nuts
  - 2 Hex Nuts
- Installs on 1-1/4" Schedule 40 Steel Pipe (Supplied by Others)
- Compatible with Figure 7715 150# & Figure 7730 300# Pipe Supports
- Galvanized or Zinc Coated Components for Added Corrosion Resistance

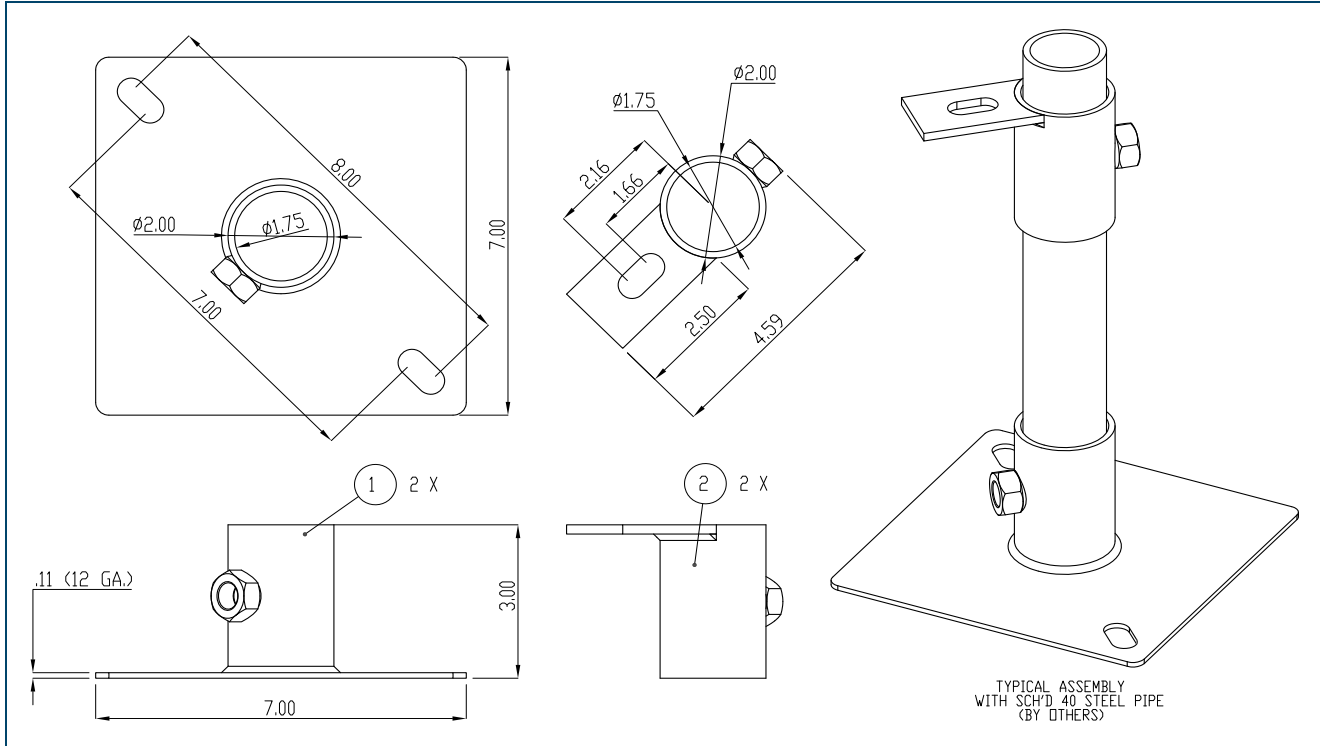
### Part Number

FNWELKITC



**EXAMPLE APPLICATION** - The above diagram demonstrates a typical installation where it was necessary to elevate one 8" and two 2" pipes running parallel along the roof level to avoid annual peak weather build-up from heavy rain and snow. The pipes are installed using the figure ELKITC kits, as well as FNW pipe supports, strut clamps, and clevis hangers. The kits add ease and versatility to solving many equipment elevation needs.

## ELEVATION KIT FOR PIPE SUPPORT SYSTEMS



### Standard Materials

Ref. No.	Description	Material	Qty	Remarks
1	Base Unit	12 ga. Galvanized Steel	2	Welded
2	Vertical Mount	Galvanized Steel	2	Welded
3	1/2-13 x 3/4" Hex Bolt	Zinc Coated Steel	10	Not Shown
4	1/2" Washer	Zinc Coated Steel	6	Not Shown
5	1/2" Strut Nut	Zinc Coated Steel	4	Not Shown
6	1/2" Hex Nut	Zinc Coated Steel	2	Not Shown

DOC: FNWELKITC11 Ver. 02/2011

© 2011 - FNW. All rights reserved.

The FNW logo is a trademark of Ferguson Enterprises, Inc., PL Sourcing, PO Box 2778, Newport News, VA 23609

The contents of this publication are presented for information purposes only, and while effort has been made to ensure their accuracy, they are not to be construed as warranties or guarantees, expressed or implied, regarding the products or services described herein or their use or applicability. All sales are governed by our terms and conditions, which are available on request. We reserve the right to modify or improve the designs or specifications of our products at any time without notice. Always verify that you have the most recent product specifications or other documentation prior to the installation of these products.