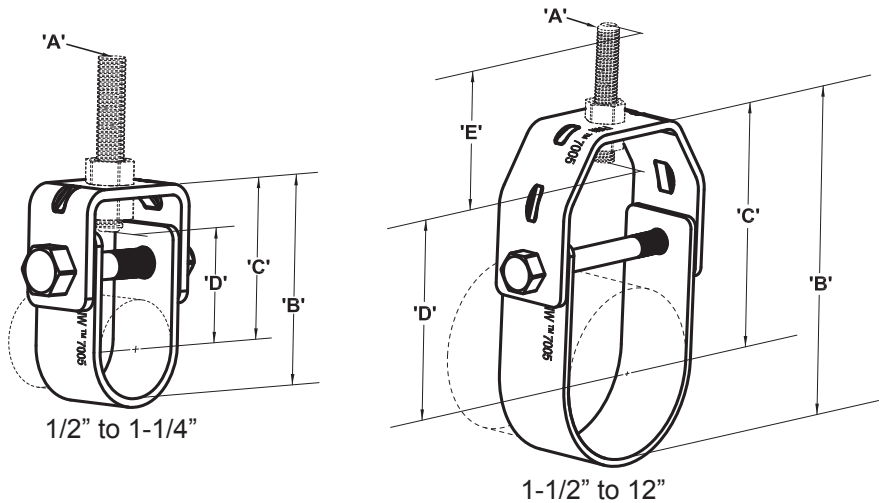


FIGURE 7005S - Standard Duty Adjustable Clevis Hangers

Finish: Stainless Steel
 Color: Stainless
 MSS SP-58, Type 1
 Federal Specification WW-H-171, Type 1
 Hanger body : ASTM A240
 stud , nut : SS304

- A - Rod size (hanger rod and nuts not included)
- B - Bottom of pipe to top of hanger
- C - Center of pipe to top of hanger
- D - Rod take out (center of pipe to bottom of hanger rod)
- E - Minimum thread length of hanger rod
- F - Adjustment, top of cross bolt to bottom of hanger rod nut inside hanger



Catalog Number	Pipe Size		A (Rod Size)	B		C		D	
	in.	mm		in.	mm	in.	mm	in.	mm
FNW7005S0050	1/2	21.30	3/8"-16	2	50	1-1/2	39.00	3/8	9.50
FNW7005S0075	3/4	26.60	3/8"-16	2-2/7	58	1-3/4	44.00	5/8	15.30
FNW7005S0100	1	33.40	3/8"-16	2-2/3	68	2	51.00	7/8	22.50
FNW7005S0125	1-1/4	42.10	3/8"-16	3-1/3	84	2-4/9	62.00	1-1/4	31.90
FNW7005S0150	1-1/2	48.20	3/8"-16	3-6/7	98	2-7/8	73.00	1-3/4	44.90
FNW7005S0200	2	60.30	3/8"-16	4-2/5	112	3-1/5	81.00	1-15/16	49.40
FNW7005S0250	2-1/2	73.00	1/2"-13	5-1/8	130	3-2/3	93.00	2-5/16	57.90
FNW7005S0300	3	88.90	1/2"-13	6	151	4-1/7	105.00	2-3/4	69.20
FNW7005S0350	3-1/2	101.60	1/2"-13	6-1/2	166	4-1/2	114.00	3-1/16	78.20
FNW7005S0400	4	114.30	5/8"-11	7-1/2	190	5-1/6	131.00	3-11/16	93.60
FNW7005S0500	5	141.30	5/8"-11	9-1/5	234	6-3/8	162.00	4-5/8	117.00
FNW7005S0600	6	168.20	3/4"-10	10-1/2	267	7-1/8	181.00	5-5/16	134.80
FNW7005S0800	8	219.10	3/4"-10	13	328	8-1/2	216.00	6-1/2	164.70
FNW7005S1000	10	273.10	7/8"-9	15-1/2	394	10	254.00	7-5/8	194.20
FNW7005S1200	12	323.90	7/8"-9	18-5/8	473	12-1/8	308.00	9-3/4	247.60

Catalog Number	Pipe Size		E		F		Bolt Size	Design Load		Weight
	in.	mm	in.	mm	in.	mm		Lbs.	kN	
FNW7005S0050	1/2	21.3	2-1/2	63.5	7/16	11.1	1/4-20UNC	610	2.71	0.12
FNW7005S0075	3/4	26.6	2-1/2	63.5	1/2	12.7	1/4-20UNC	610	2.71	0.14
FNW7005S0100	1	33.4	2-1/2	63.5	5/8	15.9	1/4-20UNC	610	2.71	0.16
FNW7005S0125	1-1/4	42.1	2-1/2	63.5	7/8	22.2	1/4-20UNC	610	2.71	0.24
FNW7005S0150	1-1/2	48.2	2-1/2	63.5	1-3/16	30.2	1/4-20UNC	610	2.71	0.25
FNW7005S0200	2	60.3	2-1/2	63.5	1-5/8	41.3	1/4-20UNC	610	2.71	0.35
FNW7005S0250	2-1/2	73.0	2-1/2	63.5	2	50.8	3/8-16UNC	1130	5.02	0.61
FNW7005S0300	3	88.9	2-1/2	63.5	2	50.8	3/8-16UNC	1130	5.02	0.71
FNW7005S0350	3-1/2	101.6	2-1/2	63.5	2	50.8	3/8-16UNC	1130	5.02	0.79
FNW7005S0400	4	114.3	2-1/2	63.5	2	50.8	3/8-16UNC	1430	6.36	1.00
FNW7005S0500	5	141.3	2-1/2	63.5	2	50.8	1/2-13UNC	1430	6.36	1.67
FNW7005S0600	6	168.2	3	76.2	2	50.8	1/2-13UNC	1940	8.62	3.05
FNW7005S0800	8	219.1	3-1/2	88.9	2-5/16	58.7	5/8-11UNC	2000	8.89	4.11
FNW7005S1000	10	273.1	3-1/2	88.9	2-5/16	58.7	3/4-10UNC	3600	16.00	6.75
FNW7005S1200	12	323.9	3-1/2	88.9	2-5/16	66.7	3/4-10UNC	3800	16.89	7.88