

STAINLESS STEEL METAL SEATED KNIFE GATE VALVE

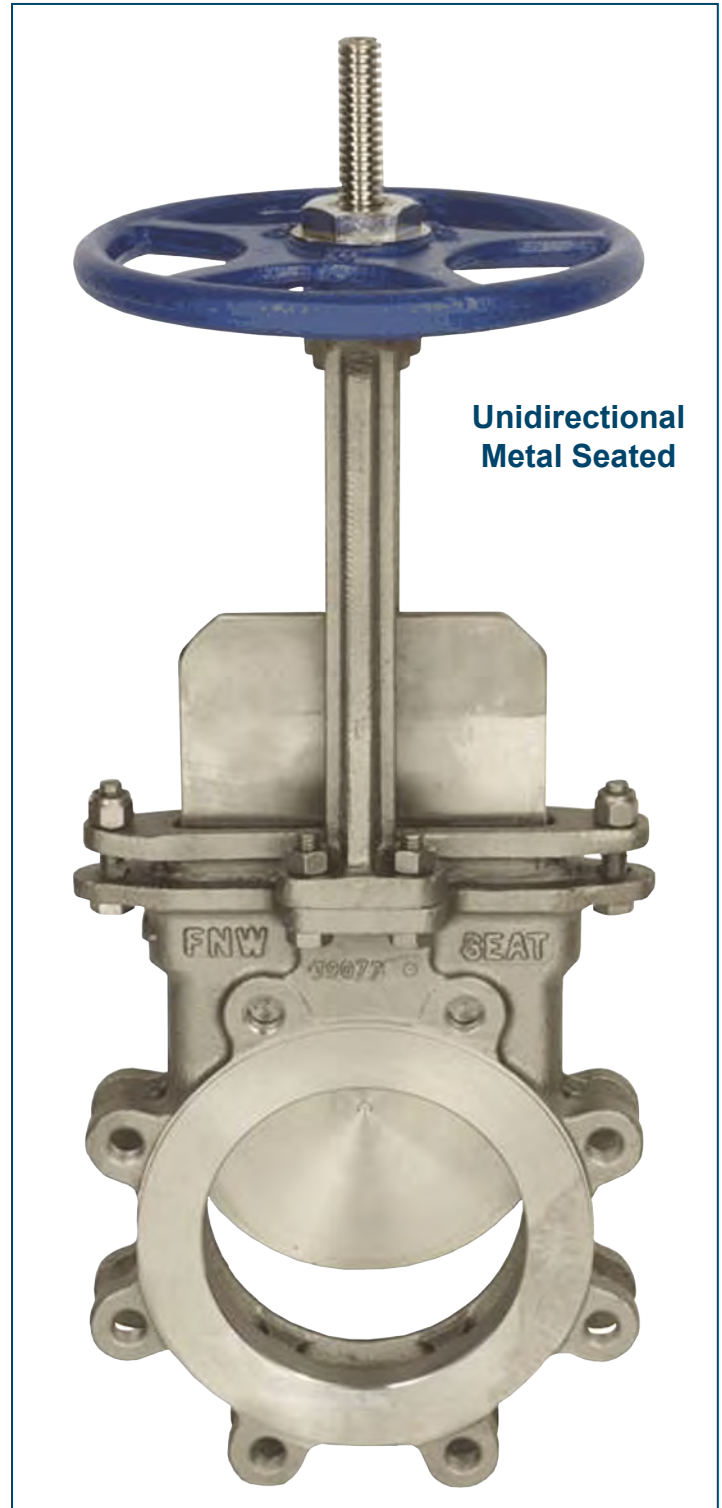
The figure 67B is an all cast stainless steel body and yoke design. The 67B is designed to handle dense mixtures of stock and slurries with unidirectional shut off. The shearing action of the knife gate cuts through solids and cleans the seat as it closes.

Features:

- Unidirectional Shutoff
- Cast Stainless Steel Body, Yoke and Packing Gland
- Thrust Ball Bearing Yoke Bushing (14" & Larger)
- Ductile Iron Handwheel
- Bonnetless, Outside Screw & Yoke
- Rising Stem
- Meets MSS SP-81 Specification for 150 PSI CWP
- Smooth Flow, Non-clogging Step Seat Design
- Available in sizes from 3" to 30"

Standards:

- Design: MSS SP-81
- Flange Drilling: ANSI B16.5
- Seat/Shell Test: MSS SP-81
- Material: ASME B16.34



Options

FNW Valve Company offers many options and modifications for valves. These include, but are not limited to:

- Actuation including ratchets, chain wheels, AWWA nuts, gear-operators, pneumatic & hydraulic cylinders, and electric actuators
- Packing options for pH and temperature requirements
- Back seat stops for low ΔP or reverse operation applications, or to prevent knife blade deflection.
- V-ports for reduced plugging in metering applications
- Stem extensions in carbon and stainless steel
- Conversion to non-rising stem (NRS)
- Deflection cones in Ni-Hard and HDPE for added seat and gate protection in abrasive services
- Flush ports to clear suspended matter from the valve chest or seat pocket area
- Quick opening levers
- Gate scraper
- Open and close position lockout lugs

Contact FNW for knife gate valve options.

Standard Materials

Ref. No.	Description	Material	Qty	Remarks
1	Body	A351 CF8M	1	
2	Disc	A240 316SS	1	
3	Yoke	A351 CF8	1	
4	Stem	A276 304	1	
5	Body Seat	A351 CF8M		Integral
6	Packing	PTFE/FIBER	1 Set	Non-Asbestos
7	Packing Gland	A351 CF8	1	
8-1	Gland Bolt	A193 B8	1 Set	
8-2	Gland Nut	A194 8	1 Set	Nylon Lock Nut
9-1	Yoke Bolt	A193 B8	4	
9-2	Yoke Nut	A194 8	4	
10-1	Clevis Bolt	A193 B8	2	
10-2	Clevis Nut	A194 8	2	Nylon Lock Nut
11	Yoke Sleeve	BRASS	1	
12	Thrust Washer	BRASS	1	
13	Hand Wheel	DUCTILE IRON	1	
14	Name Plate	ALUMINUM	1	
15	Lock Washer	A240 304	1	
16	Wheel Nut	STEEL	1	
17	Bottom Wedge	A351 CF8M		Integral
18	Rivet	ALUMINUM	2	
19	Grease Nipple	ASS'Y	1	
20	Bearing Housing	A351 CF8	1	
21	Thrust Ball Bearing	ASS'Y	2	
22	Bearing Gland	A351 CF8	1	Tack Weld
23-1	Bearing Housing Bolt	A193 B8	4	
23-2	Bearing Housing Nut	A194 8	4	

Packing Options

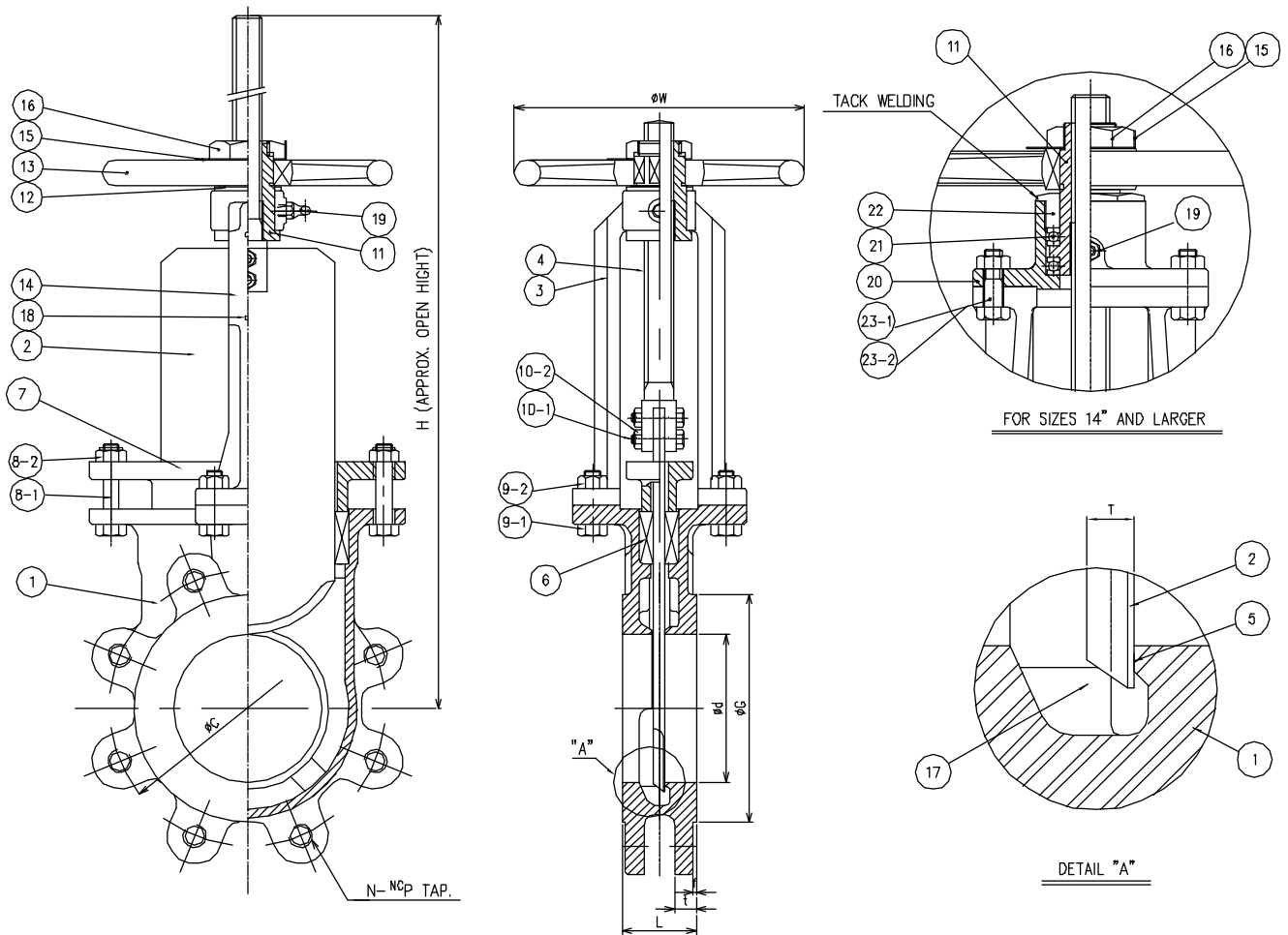
Type	Temperature Limit
PTFE Impregnated Fiber (Standard)	425°F
Pure TFE	425°F
TFE Fiber (Ultra)	500°F
Graphite Filament Yarn	1000°F

Flow Coefficients, Port Areas, & Weights

Size	Cv	Port Area (in ²)	Wt. (Lbs)
3	290	6.65	24
4	550	12.69	36
6	1,220	28.07	47
8	2,070	47.76	70
10	3,250	74.78	116
12	4,880	112.48	153
14	5,960	137.4	204
16	7,830	180.41	305
18	10,130	233.32	364
20	12,580	289.68	534
24	18,380	423.61	680
30	29,150	671.62	1330

Figure Number Matrix

FNW 67 B Size		
SIZE CODE		
3 = M	10 = 10	18 = 18
4 = P	12 = 12	20 = 20
6 = U	14 = 14	24 = 24
8 = X	16 = 16	30 = 30



Dimensions (inches)

Size	L	Ød	ØG	ØC	N	^{NCp}	t	f	T	ØW	H
3	2.00	2.91	5.00	6.00	4	5/8" - 11	0.59	0.08	0.315	7.09	17.32
4	2.00	4.02	6.18	7.50	8	5/8" - 11	0.59	0.08	0.315	9.84	20.51
6	2.25	5.98	8.50	9.50	8	3/4" - 10	0.63	0.10	0.315	9.84	25.91
8	2.75	7.80	10.63	11.75	8	3/4" - 10	0.75	0.10	0.315	11.81	31.42
10	2.75	9.76	12.76	14.25	12	7/8" - 9	0.83	0.10	0.39	13.78	38.94
12	3.00	11.97	15.00	17.00	12	7/8" - 9	0.87	0.10	0.39	15.75	45.16
14	3.00	13.23	16.26	18.75	12	1" - 8	0.94	0.12	0.55	15.75	50.63
16	3.50	15.16	18.50	21.25	16	1" - 8	1.06	0.12	0.55	19.69	58.19
18	3.50	17.24	20.98	22.75	16	1-1/8" - 7	1.06	0.12	0.55	19.69	64.29
20	4.50	19.21	22.99	25.00	20	1-1/8" - 7	1.18	0.12	0.71	21.65	71.30
24	4.50	23.23	27.24	29.50	20	1-1/4" - 7	1.18	0.12	0.71	21.65	82.76
30	4.75	29.25	33.74	36.00	28	1-1/4" - 7	1.26	0.12	0.71	23.62	104.33

**STAINLESS STEEL METAL SEATED
KNIFE GATE VALVE**

DOC: FNW67B05 Ver. 4/2012

© 2012 - FNW. All rights reserved.

The FNW logo is a trademark of Ferguson Enterprises, Inc., PL Sourcing, PO Box 2778, Newport News, VA 23609

The contents of this publication are presented for information purposes only, and while effort has been made to ensure their accuracy, they are not to be construed as warranties or guarantees, expressed or implied, regarding the products or services described herein or their use or applicability. All sales are governed by our terms and conditions, which are available on request. We reserve the right to modify or improve the designs or specifications of our products at any time without notice. Always verify that you have the most recent product specifications or other documentation prior to the installation of these products.