

## 200 WOG NON-RISING STEM GATE VALVE

**Features:**

- 200 WOG
- Non-Rising Stem
- Inside Screw
- Temperature: -4°F to 356°F
- Investment Cast Components
- Stainless Steel Body and Trim
- Solid Wedge Disc
- Threaded NPT Ends
- Adjustable Packing

**Standards:**

- Pressure Test: API 598
- Material: ASTM/ASME B16.34
- Connections: ANSI B1.20.1 (NPT)

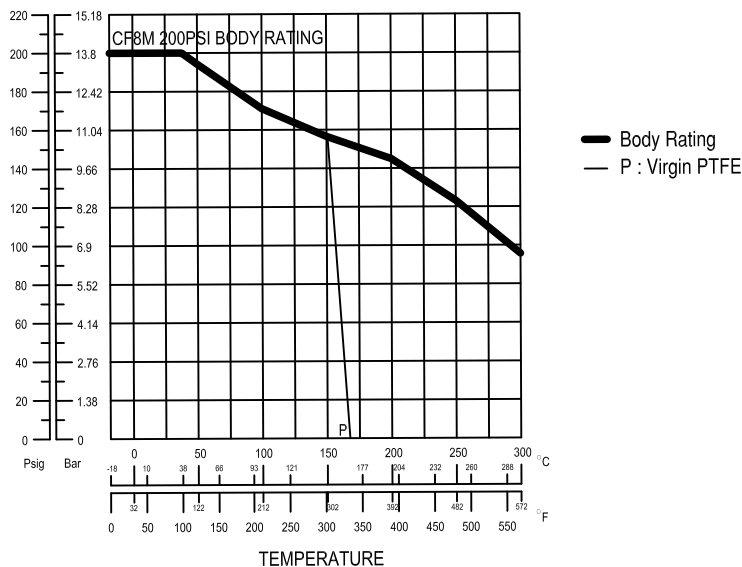


**Figure Number Matrix**

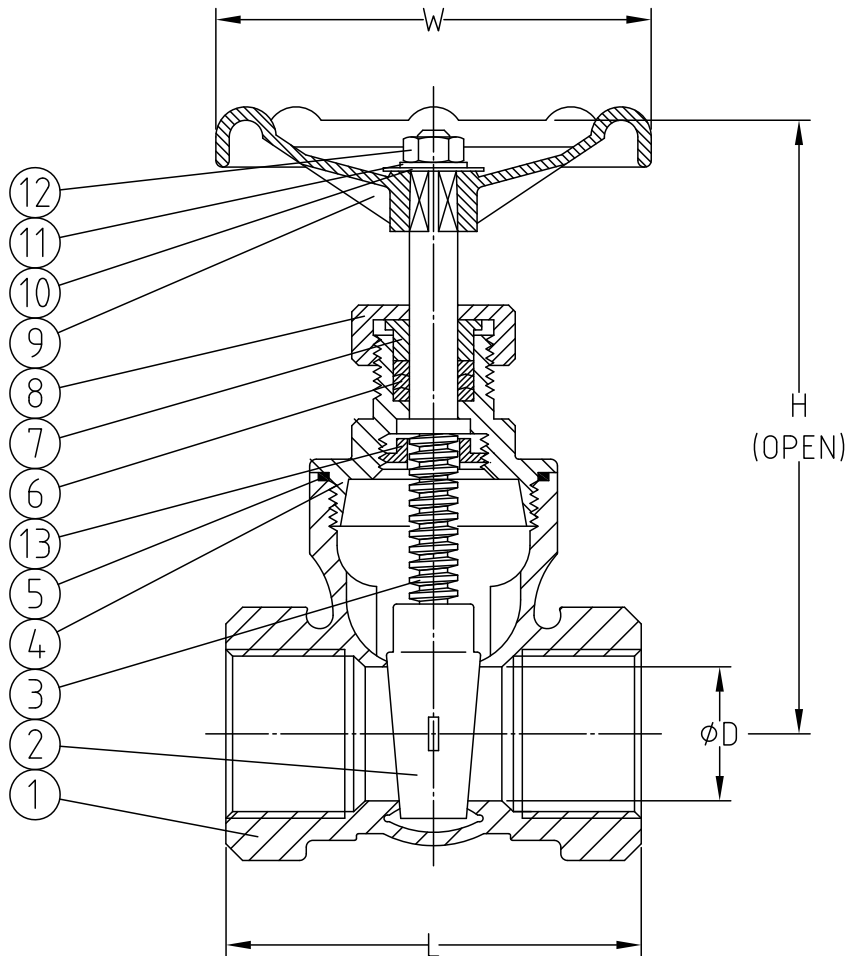
FNW 15B 200 Size	
SIZE CODE	
1/2 = D	1-1/4 = H
3/4 = F	1-1/2 = J
1 = G	2 = K

**Cv & Weights**

Size	Cv	Wt. (lbs.)
1/2	22.4	1.0
3/4	41.5	1.2
1	67.5	1.5
1-1/4	113.1	2.1
1-1/2	180.9	3.2
2	297.2	4.5



### 200 WOG NON-RISING STEM GATE VALVE



#### Dimensions (inches)

Size	ØD	L	H	W
1/2	0.59	2.17	3.62	2.76
3/4	0.79	2.38	3.82	2.76
1	0.98	2.58	4.27	3.15
1-1/4	1.26	3.01	4.86	3.15
1-1/2	1.57	3.37	5.75	3.54
2	1.98	3.76	6.38	3.94

#### Standard Materials

Ref. No.	Description	Material	Qty
1	Body	ASTM A351 Gr. CF8M	1
2	Disc	ASTM A351 Gr. CF8M	1
3	Stem	316SS	1
4	Bonnet	ASTM A351 Gr. CF8M	1
5	Body Seal	PTFE	1
6	Stem Packing	PTFE	1 Set
7	Gland	304SS	1
8	Gland Nut	ASTM A351 Gr. CF8M	1
9	Hand Wheel	DIE CAST ZINC ALLOY	1
10	Name Plate	ALUMINUM	1
11	Hand Wheel Washer	304SS	1
12	Hand Wheel Nut	304SS	1
13	Stop Ring	304SS	1

DOC: FNW15B06 Ver. 03/2017

© 2017 - FNW. All rights reserved.

The FNW logo is a trademark of Ferguson Enterprises, Inc., PL Sourcing, PO Box 2778, Newport News, VA 23609

The contents of this publication are presented for information purposes only, and while effort has been made to ensure their accuracy, they are not to be construed as warranties or guarantees, expressed or implied, regarding the products or services described herein or their use or applicability. All sales are governed by our terms and conditions, which are available on request. We reserve the right to modify or improve the designs or specifications of our products at any time without notice. Always verify that you have the most recent product specifications or other documentation prior to the installation of these products.