

**RISING STEM 125# GLOBE VALVE
 FEDERAL SPECIFICATION**

Features:

- 200 WOG
- 125 PSI Saturated Steam (1231 Only)
- Rising Stem
- Resilient Disc
- NPT Ends
 - Fig. 1231 - Sizes 1/4" to 3"
- Solder Ends
 - Fig. 1232 - Sizes 1/2" to 2"
- Conforms to MSS SP-80
- Body Markings Comply with MSS SP-25
- NPT Ends Comply with ANSI/ASME B1.20.1
- Solder Ends Comply with ANSI B16.18

Note: Before installing solder end valves, be sure the solder or brazing alloy melting point is sufficient to withstand the line pressure and temperature and is compatible with the media through the valve.



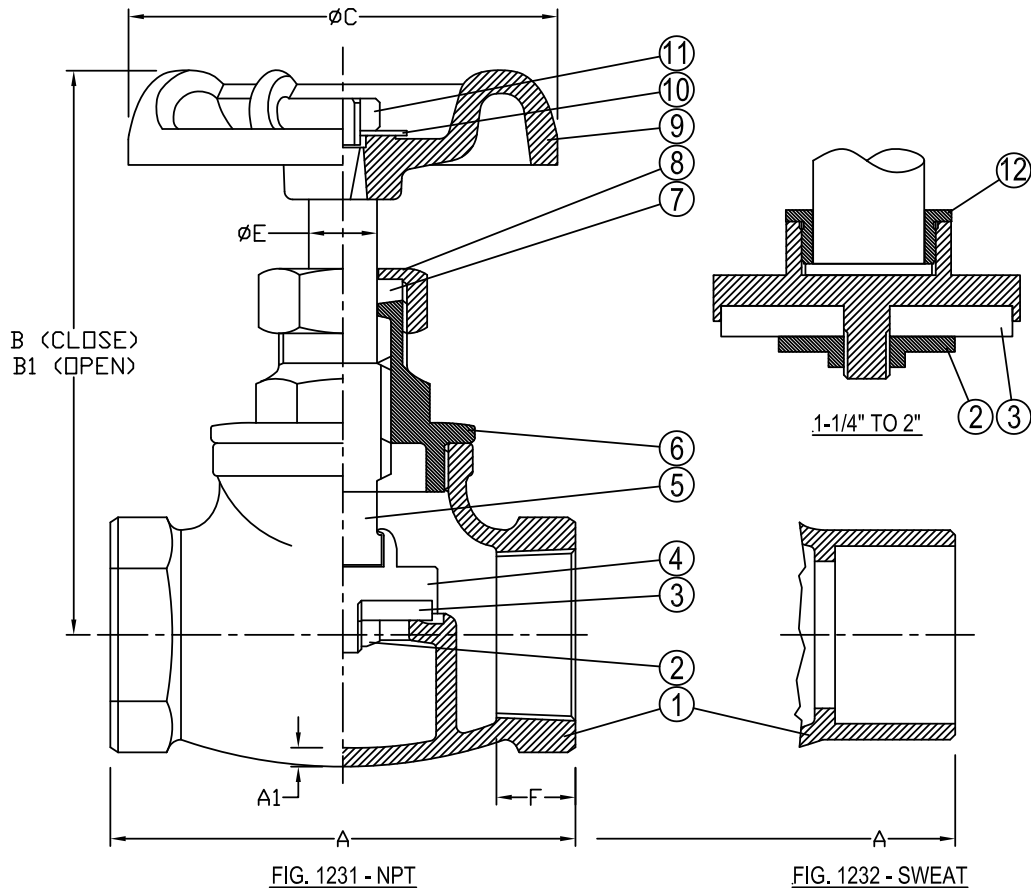
Cv & Weights (lbs.)

Size	Cv	1231	1232
1/4	1.31	0.57	
3/8	2.40	0.60	
1/2	3.82	0.93	0.88
3/4	6.96	1.42	1.33
1	11.77	2.13	2.00
1-1/4	20.82	3.19	3.25
1-1/2	29.01	4.25	4.25
2	50.26	6.33	6.66
2-1/2	73.68	11.67	
3	113.76	16.00	

Figure Number Matrix

FNW 1 2 3 1 Size		
END TYPE	SIZE CODE	
1 = NPT Ends (1/4"~3")	1/4 = B	1-1/4 = H
	3/8 = C	1-1/2 = J
2 = Solder Ends (1/2"~2")	1/2 = D	2 = K
	3/4 = F	2-1/2 = L
	1 = G	3 = M

RISING STEM 125# GLOBE VALVE FEDERAL SPECIFICATION



Dimensions (inches)

Size	A		A1	B	B1	C	E	F	
	1231	1232						1231	1232
1/4	1.87		0.09	2.64	2.83	2.56	0.31	0.35	
3/8	1.87		0.09	2.64	2.83	2.56	0.31	0.35	
1/2	2.28	2.87	0.1	3.31	3.62	2.56	0.37	0.43	0.52
3/4	2.83	3.62	0.1	3.66	4.25	2.56	0.37	0.51	0.75
1	3.46	4.37	0.12	4.25	4.65	2.76	0.43	0.59	0.91
1-1/4	4.02	5.12	0.12	4.92	5.39	3.27	0.49	0.67	0.98
1-1/2	4.53	5.79	0.14	5.98	6.38	3.66	0.53	0.75	1.10
2	5.35	7.09	0.16	5.98	6.54	4.41	0.59	0.75	1.34
2-1/2	5.83		0.18	6.85	7.87	5.12	0.71	0.87	
3	6.93		0.2	7.83	9.21	5.12	0.71	0.94	

Standard Materials

Ref. No.	Description	Material	Remarks
1	Body	BRONZE ASTM B62 C83600	
2	Seat Lock Nut	BRASS ASTM B16 C36000	Sizes 1/2" to 1"
		BRASS ASTM B124 C37700	Sizes 1-14" to 2"
3	Seat	TEFLON (PTFE)	
4	Disc	BRASS ASTM B124 C37700	
5	Stem	BRASS ASTM B21 C48200	
6	Bonnet	BRONZE ASTM B62 CB3600	
7	Stem Packing	TEFLON (PTFE)	
8	Packing Nut	BRASS ASTM B16 C36000	
9	Handwheel	CAST IRON A48 CLASS #35	
10	Nameplate	COMMERCIAL ALUMINUM	
11	Handwheel Nut	STEEL AISI-1010	
12	Disc Lock Nut	BRASS ASTM B16 C36000	Sizes 1-14" to 2"

DOC: FNW1231-123206 Ver. 1/2012

© 2012 - FNW. All rights reserved.

The FNW logo is a trademark of Ferguson Enterprises, Inc., PL Sourcing, PO Box 2778, Newport News, VA 23609

The contents of this publication are presented for information purposes only, and while effort has been made to ensure their accuracy, they are not to be construed as warranties or guarantees, expressed or implied, regarding the products or services described herein or their use or applicability. All sales are governed by our terms and conditions, which are available on request. We reserve the right to modify or improve the designs or specifications of our products at any time without notice. Always verify that you have the most recent product specifications or other documentation prior to the installation of these products.