

**2 PC FULL PORT 600 WOG
w/ ISO MOUNTING PAD**

Features:

- 600 WOG
- 150 PSI WSP
- Full Port
- Blow-out Proof Stem
- Double Viton® O-ring Stem Seal with Additional PTFE Seal
- Threaded NPT Ends
- Forged Brass Body & End Cap
- O-ring Backed Seats for Reduced Operating Torque
- Mounting Pad for Direct Mount Actuation
- 100% Electronically Tested in Open & Closed Position at 80 PSI
- Sizes 2-1/2" to 4"
(See Figure X440 for 1/2" to 2")

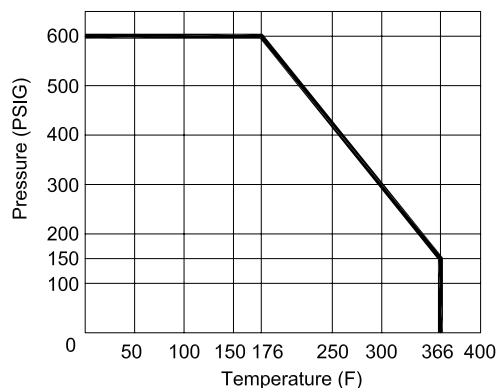
Standards:

- Design: MSS SP-110*
- End Connections: ANSI B1.20.1
- Seat/Shell Test: MSS SP-110
- Mounting Pad: ISO 5211

* The specification MSS SP-110 addresses valves design with handles. The 440 does not include a handle. Other than this exception, the valve meets the design criteria of the specification.



**NOT FOR USE AT OR BELOW
GROUND LEVEL**



Cv, Torque & Weight

Size	Cv	Torque (in-lbs)	Wt (lbs)
2-1/2	629	267	8.8
3	944	267	13.3
4	1493	658	21.5

Figure Number Matrix

FNW 440 Size
SIZE CODE
2-1/2 = L
3 = M
4 = P

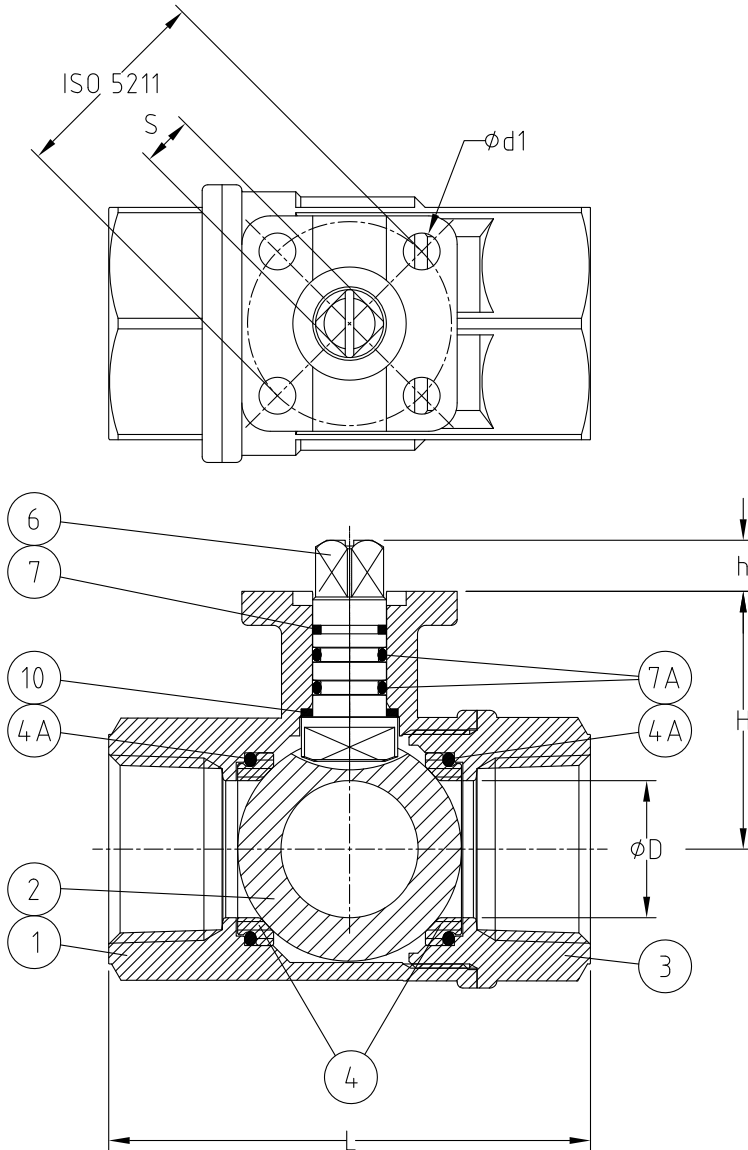
2 PC FULL PORT 600 WOG w/ ISO MOUNTING PAD

Standard Materials

Ref. No.	Description	Material	Qty
1	Body	Brass CW 617N UNI EN 12165	1
2	Ball	Brass CW 617N UNI EN 12165 (Nickel-Chrome Plated)	1
3	End Cap	Brass CW 617N UNI EN 12165	1
4	Seat	PTFE	2
4A	Seat Backing O-ring	Viton®	2
6	Stem	Brass CW 614N UNI EN 12164	1
7	Stem Seal	PTFE	1
7A	Stem O-ring	Viton®	2
10	Thrust Washer	PTFE	1

Dimensions (inches)

SIZE	ØD	L	H	h	S	ISO 5211	Ød1
2-1/2	2.52	6.10	3.48	0.59	0.551	2.76/F07	0.35
3	3.00	6.89	3.85	0.59	0.551	2.76/F07	0.35
4	3.74	8.03	4.59	0.69	0.669	2.76/F07	0.35



DOC: FNW44008 Ver. 08/2013

© 2013 - FNW. All rights reserved.

The FNW logo is a trademark of Ferguson Enterprises, Inc., PL Sourcing, PO Box 2778, Newport News, VA 23609

The contents of this publication are presented for information purposes only, and while effort has been made to ensure their accuracy, they are not to be construed as warranties or guarantees, expressed or implied, regarding the products or services described herein or their use or applicability. All sales are governed by our terms and conditions, which are available on request. We reserve the right to modify or improve the designs or specifications of our products at any time without notice. Always verify that you have the most recent product specifications or other documentation prior to the installation of these products.