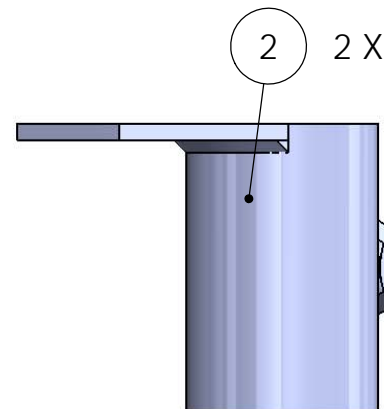
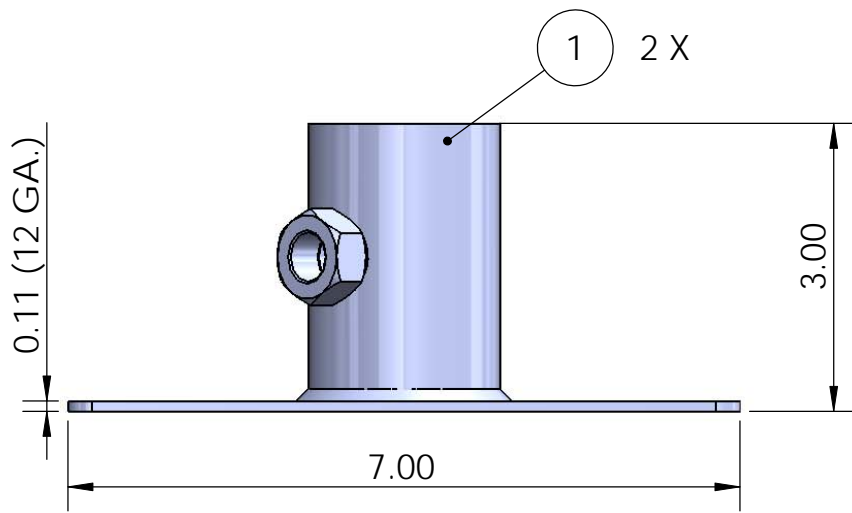


TYPICAL ASSEMBLY
WITH SCH'D 40 STEEL PIPE
(BY OTHERS)

REF.	DESCRIPTION	QTY	REMARKS
1	BASE	2	
2	VERTICAL MOUNT	2	
3	1/2-13 X 3/4" BOLT	10	NOT SHOWN
4	1/2" WASHER	6	NOT SHOWN
5	1/2" STRUT NUT	4	NOT SHOWN
6	1/2" HEX NUT	2	NOT SHOWN



HEX HEAD BOLTS (NOT SHOWN) TO BE TIGHTENED TO MINIMUM 50 FT-LBS DURING INSTALLATION

FNW TM		4120 NE Columbia Blvd Portland, OR 97211 Phone (503)287-8383 Fax (503)281-9677
TITLE/DESCRIPTION ELEVATION KIT #C PIPE SUPPORT SYSTEM		
DATE: 01-08-2011	BY: PEA	ELKITC
REV: 0	APVD: KMC	
<small>CONFIDENTIAL AND PROPRIETARY INFORMATION BELONGING TO FNW VALVE. SUBMITTED FOR THE LIMITED PURPOSE OF PROVIDING INFORMATION ON PRODUCTS AND SYSTEMS. BY RECEIVING THIS DOCUMENT, YOU AGREE NOT TO DISCLOSE SUCH INFORMATION TO OTHERS EXCEPT BY WRITTEN PERMISSION OF FNW VALVE.</small>		
UNITS: INCHES	SCALE: NTS	PAGE 1 OF 1